

24 m Carbon Class

MV "CarboClyde"



OPUS MARINE GmbH

Lademannbogen 22 | D-22339 Hamburg | Germany

Tel.: +49 40 22 63 203 0

Fax: +49 40 22 63 203 99

Web: www.opusmarine.com

E-Mail: chartering@opusmarine.com

24m Class MV “CarboClyde”

Main Particulars:

Built:	2010
Class:	RINA C+ (light ship) special service CTV, sp. nav.
Complement:	24 Passengers / 2 Crew
Flag:	Germany
Tonnage:	142 GRT / 42 NRT
Length o.a.:	25,53 m
Beam:	8,63 m
Draft:	1,3 m max / 0,9 m min.
Tank capacities:	8000 l MGO / 1000 l Fresh water

Cargo Capacities:

Foredeck:	40 sqm
Deck strength:	1,2 mts/sqm
Deck crane:	1 x Palfinger
Model:	15500 Marinecrane
Safe Working Load:	14,6 mts@m

Machinery:

Main Engines:	2x MTU 2000 M72
Power:	2x 720 kW
Auxiliary Engines:	2x Northlight 20-25 kW
Propulsion:	2x Hamilton Waterjet
Bow Thruster:	Yes

Performance:

Speed max / Service:	27kn / 23kn
Consumption:	300 ltr/h (Service)
Range (max.):	510 nm

Navigation & Communication Equipment:

Radar:	2 x Furuno (1 x ARPA)
AIS:	Yes
GPS / DGPS:	GPS
ECDIS:	Yes
Compasses:	Mag, Sat
Echosounder:	Yes
Autopilot:	Yes
Radio Equipment:	GMDSS, Sea Area A2
Communication Equipment:	GSM / Email

Safety Equipment:

FRC (optional), Life Rafts
Jason’s Cradle / Rescue cage / Life vests / Immersion suits

Extras:

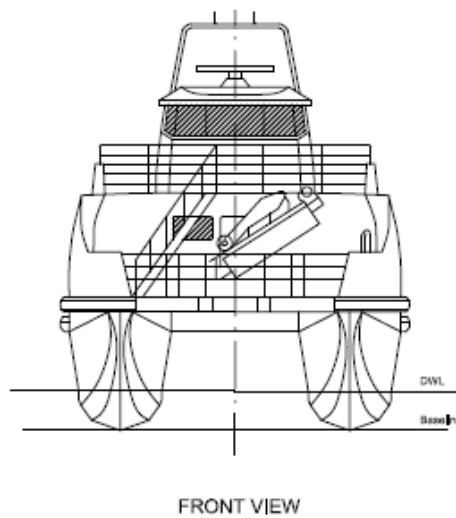
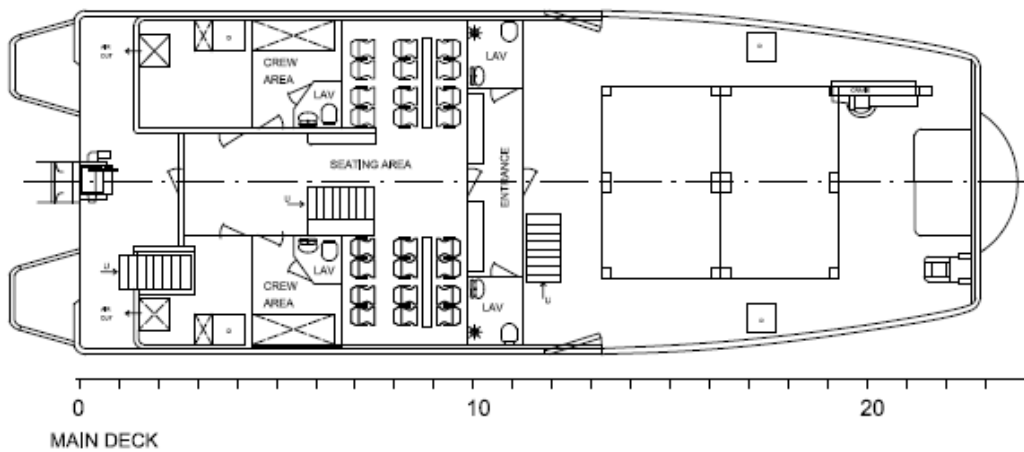
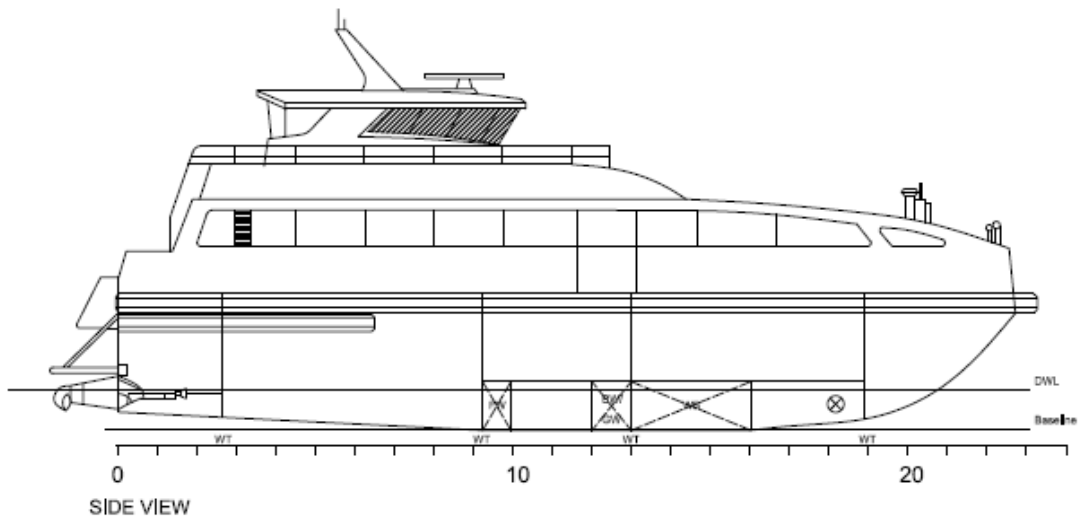
2x Flatscreen TV, 2 x sanitary facilities incl. showers, dressing area for survival suits incl. storage



OPUS MARINE GmbH

Lademannbogen 22 | D-22339 Hamburg | Germany
Tel.: +49 40 22 63 203 0
Fax: +49 40 22 63 203 99
Web: www.opusmarine.com
E-Mail: chartering@opusmarine.com

24 m Carbon Class MV “CarboClyde”



OPUS MARINE GmbH

Lademannbogen 22 | D-22339 Hamburg | Germany

Tel.: +49 40 22 63 203 0

Fax: +49 40 22 63 203 99

Web: www.opusmarine.com

E-Mail: chartering@opusmarine.com